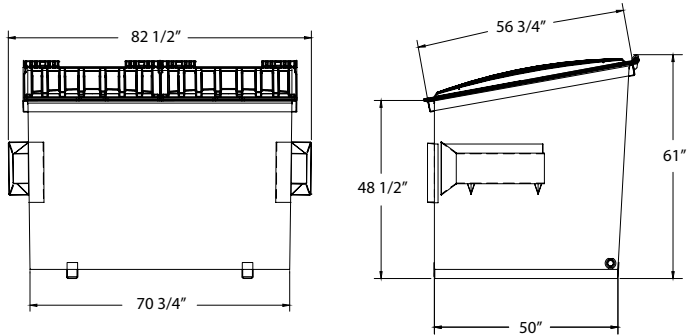


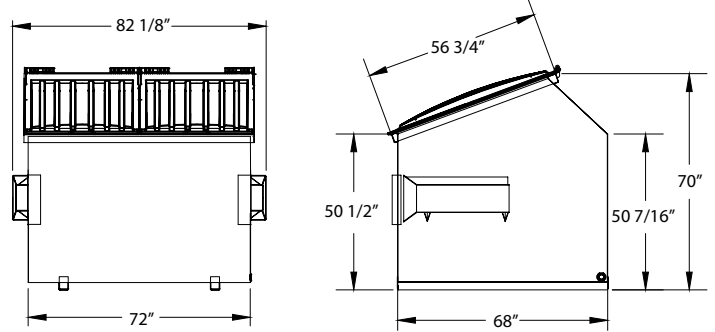
FRONT END LOAD CONTAINERS

SLANT TOP

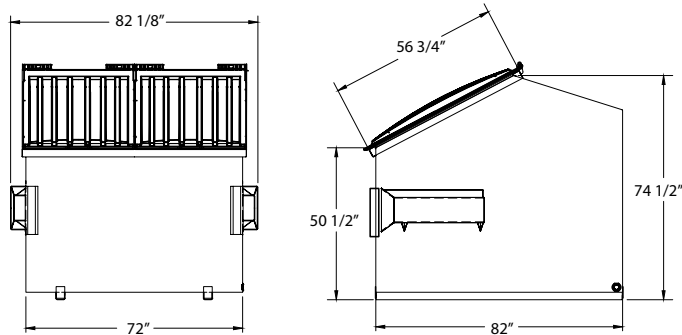
4 YARD SLANT



6 YARD SLANT



8 YARD SLANT



	4 YARD	6 YARD	8 YARD
48 ft. trailer flat / drop	20 / 28	8 / 14	7 / 7
53 ft. trailer flat / drop	22 / 31	9 / 16	8 / 8
Plastic lid standard	37" x 58" single wall	37" x 58" single wall	37" x 58" single wall
Sides	12 gauge	12 gauge	12 gauge
Bottom	10 gauge	10 gauge	10 gauge
Weight	709 lbs.	900 lbs.	1,103 lbs

